

SG-PTZ4052NIO2-L3K

- 4MP 52x Long Range Zoom Starlight Laser Network PTZ Camera



1. Features

- > 1/1.8" Sony Starvis CMOS Sensor.
- > Powerful 52x optical zoom (15~775mm).
- > Max. 4Mp(2688×1520) Resolution.
- > Support various IVS functions.
- > Support EIS, OIS and Optical Defog.
- > Hisilicon new generation AI noise reduction ISP.
- > Up to 3km Laser IR Distance.
- > High performance Harmonic motor.
- > Horizontal 360° rotation, speed up to 0.01°~40°/s.
- > Vertical -70°~+20°, speed up to 0.01°~20°/s.
- > Precision of pre-positioning $\pm 0.01^\circ$.
- > IP66, TVS 6000V Lightning Protection, surge prevention.

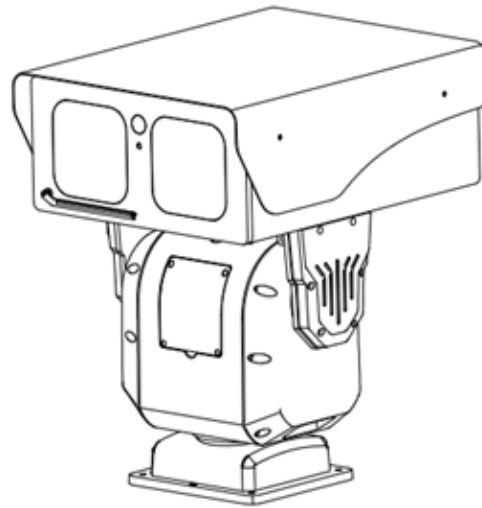
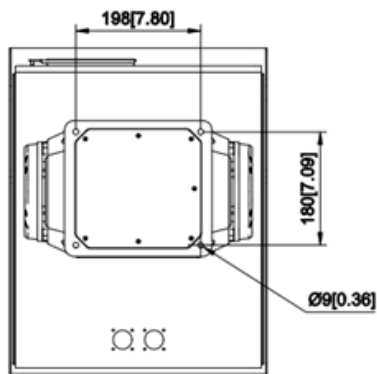
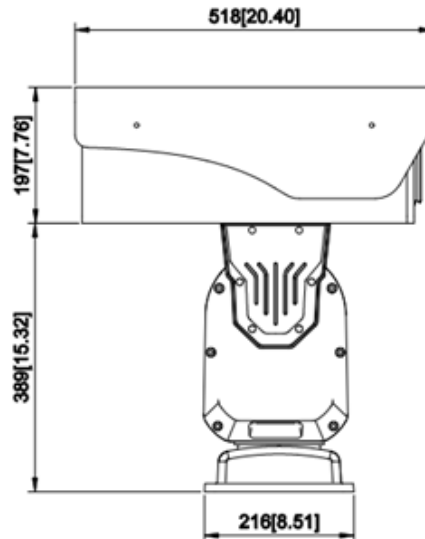
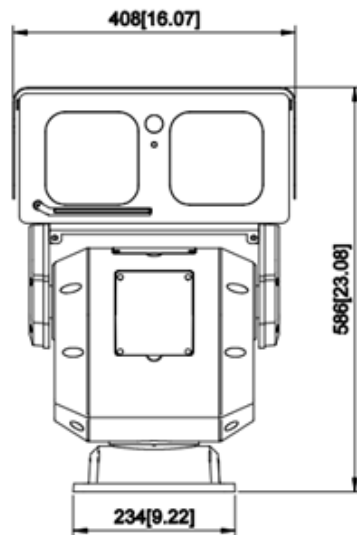
2. Specification

Model		SG-PTZ4052NIO2-L3K
Visible		
Sensor	Image Sensor	1/1.8" Starvis progressive scan CMOS
	Effective Pixels	Approx. 4.17 Megapixel
Lens	Focal Length	15mm~775mm, 52x Optical Zoom
	Aperture	F2.8~F8.2
	Field of View	H: 29.1°~0.57°, V: 16.7°~0.32°, D: 33.2°~0.66°
	Close Focus Distance	1m~10m (Wide~Tele)

	Zoom Speed	Approx. 7s (Optical Wide~Tele)			
	DORI Distance (Human)	Detect	Observe	Recognize	Identify
		10,808m	4,289m	2,162m	1,081m
Video	Compression	H.265/H.264B/H.264M/H.264H/MJPEG			
	Streaming Capability	3 streams			
	Resolution	50Hz: 50fps@4MP(2688×1520); 50fps@2MP(1920×1080) 60Hz: 60fps@4MP(2688×1520); 60fps@2MP(1920×1080)			
	Video Bit Rate	32kbps~16Mbps			
	Audio	AAC / MP2L2			
Network	Network Protocol	IPv4, IPv6, HTTP, HTTPS, TCP, UDP, RTSP, RTCP, RTP, ARP, NTP, FTP, DHCP, PPPoE, DNS, DDNS, UPnP, IGMP, ICMP, SNMP, SMTP, QoS, 802.1x, Bonjour			
	API	ONVIF, HTTP API, SDK			
	Web Browser	IE, Edge, Firefox, Chrome			
	User	Up to 20 users, 2 level: Administrator, User			
	Storage	Micro SD/SDHC/SDXC card (Up to 1TB) edge storage, FTP, NAS			
	Multicast	Support			
General Events		Motion, Tamper, SD Card, Network			
IVS		Tripwire, Cross Fence Detection, Intrusion, Abandoned Object, Fast-Moving, Parking Detection, Crowd Gathering Estimation, Missing Object, Loitering Detection.			
Target Distinction		Human/Vehicle			
S/N Ratio		≥55dB (AGC Off, Weight ON)			
Minimum Illumination		Color: 0.005Lux/F2.8; B/W: 0.0005Lux/F2.8			
Noise Reduction		2D/3D/AI Noise Reduction			
Exposure Mode		Auto, Aperture Priority, Shutter Priority, Gain Priority, Manual			
Exposure Compensation		Support			
Shutter Speed		1/1~1/30000s			
BLC		Support			
HLC		Support			
WDR		Support			
White Balance		Auto, Manual, Indoor, Outdoor, ATW, Sodium lamp, Street lamp, Natural, One Push			
Day/Night		ICR(Auto/Manual)			
Focus Mode		Auto, Manual, Semi Auto, Fast Auto, Fast Semi Auto, One Push AF			
Electronic Defog		Support			
Optical Defog		Support, 750nm~1100nm channel is Optical Defog			
Heat Haze Reduction		Support			
Flip		Support			
EIS		Support			
OIS (Optical Image Stabilization)		Support (ON/OFF)			

Digital Zoom	16x
Laser Illuminator	
IR Distance	Up to 3000m
IR On/OFF Control	Auto/Manual
IR LEDs	Laser Module
Pan Tilt	
Motor	Harmonic motor
Power On/OFF Self-Checking	Yes
Preset	255
Communication Mode	RS485
Pan/Tilt Range	Pan: 360° rotate; Tilt: -70°~+20°
Pan Speed	Configurable, pan: 0.01°~40°/s
Tilt Speed	Configurable, Tilt: 0.01°~20°/s
Precision of pre-positioning	±0.01°
Scan	Support
Wiper	Support (For visible camera)
Interface	
Power Interface	Support
Ethernet	1×RJ45 (10Base-T/100Base-TX)
Audio I/O	1/1 (for Visible Camera only)
Alarm I/O	1/1
RS485	1
General	
Waterproof	IP66, TVS 6000V Lightning Protection, surge prevention
Power	DC 48V Power input
Power Consumption	80W
Humidity	0~90% non-condensing
Working temperature	-40°C~70°C/20% to 90%RH
Dimensions(L*W*H)	Approx. 518mm*408mm*586mm
Weight	50kg

3. Dimension



Hangzhou Savgood Technology Co., Ltd.

Rm. 1201, Xincheng Fazhan Building #1, No. 406 Xintiandi Street,
Gongshu District, Hangzhou City, 310022, China

Tel: +86 - (571) 8803 8121

Email: sales@savgood.com

<http://www.savgood.com>

<http://www.savgoodtech.com>

*Design and specifications are subject to change without prior notification.

© 2013 Savgood Technology Co., Ltd.